

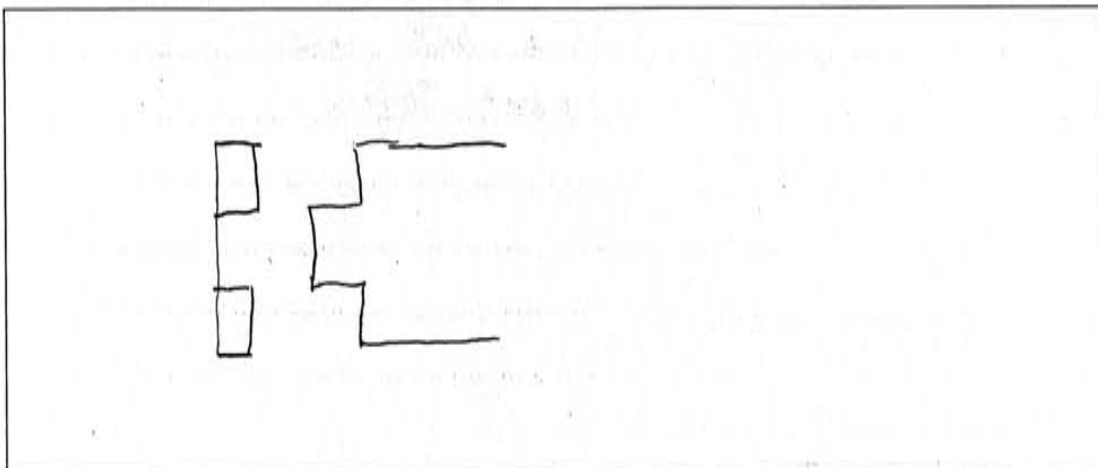
Questions 11–16 refer to the diagram of an entertainment unit below. The unit is to be manufactured as a ‘flat pack’.



**Question 11** (1 mark)

Sketch a knockdown fitting that could be used.

**1**



**Question 12** (2 marks)

What are the advantages of producing the entertainment unit as a 'flat pack'?

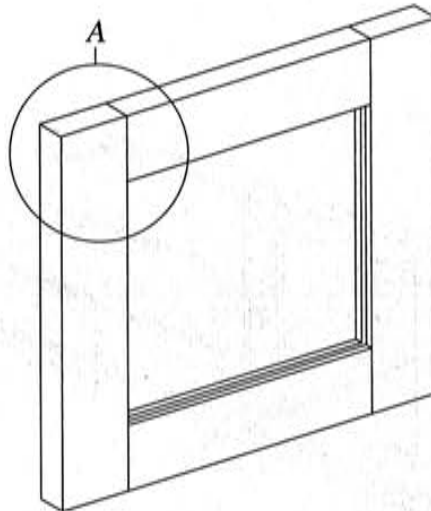
2

You can use the entertainment unit for storage and to put your T.V on so it's not on the floor.

**Question 13** (2 marks)

The details of a glass door frame from the entertainment unit are shown.

2



Name and describe, with the aid of sketches, a suitable framing joint that could be used in the area marked at A in the door frame.

This could be use as a ball and socket joint.

**Question 14** (3 marks)

Describe the safety precautions that need to be considered when constructing and finishing cabinet furniture made from manufactured boards. 3

Make sure there are no sharp edges so you  
can't hurt yourself. Sand it down for a smooth  
finish before you backer or paint your cabinet.  
Try to be aware there that there might be knots  
or splits in the cabinet.

**Question 15** (3 marks)

What are the advantages and disadvantages of using solid timber as opposed to manufactured board for the top of the entertainment unit? 3

The advantages of using solid timber it weighs  
the job down that ~~also~~<sup>so</sup> allows to be more  
level with the ground so its more stable.  
The disadvantages is that the job will weigh  
more and all so that more of a chance to  
get knots and splits in it.



**Question 16** (4 marks)

Describe techniques used when making furniture from manufactured boards.

4

There are many different techniques used.  
By sanding and cutting down the timber to the  
right size for you to make the furniture  
to scale. By doing this you are trying to make  
a smooth surface for when you start putting  
them together.