

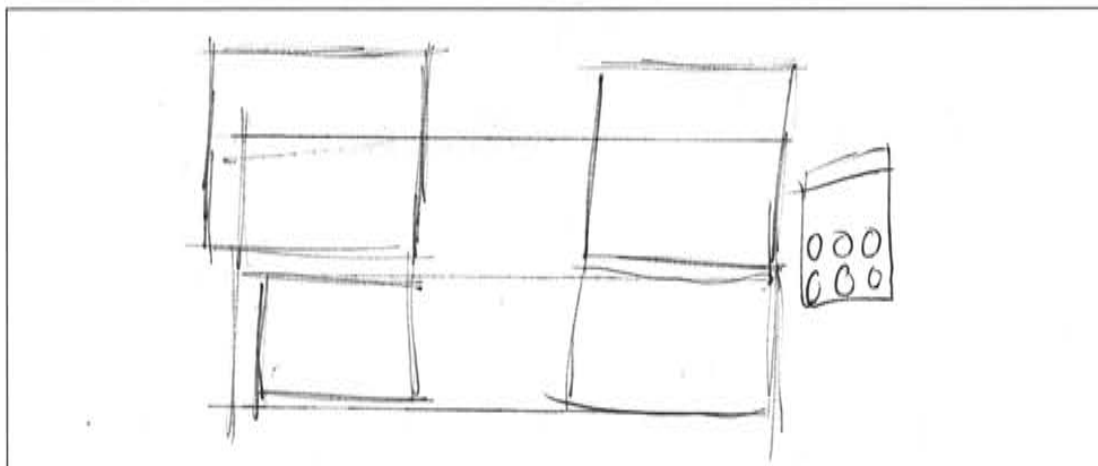
Questions 11–16 refer to the diagram of an entertainment unit below. The unit is to be manufactured as a ‘flat pack’.



Question 11 (1 mark)

Sketch a knockdown fitting that could be used.

1



Question 12 (2 marks)

What are the advantages of producing the entertainment unit as a 'flat pack'?

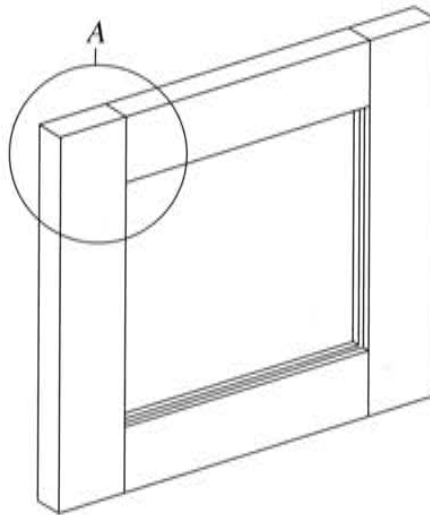
2

The Flat packs dont take up as much space, they come with detailed instructions. The flat packs are the same quality and are just as sturdy when put together.

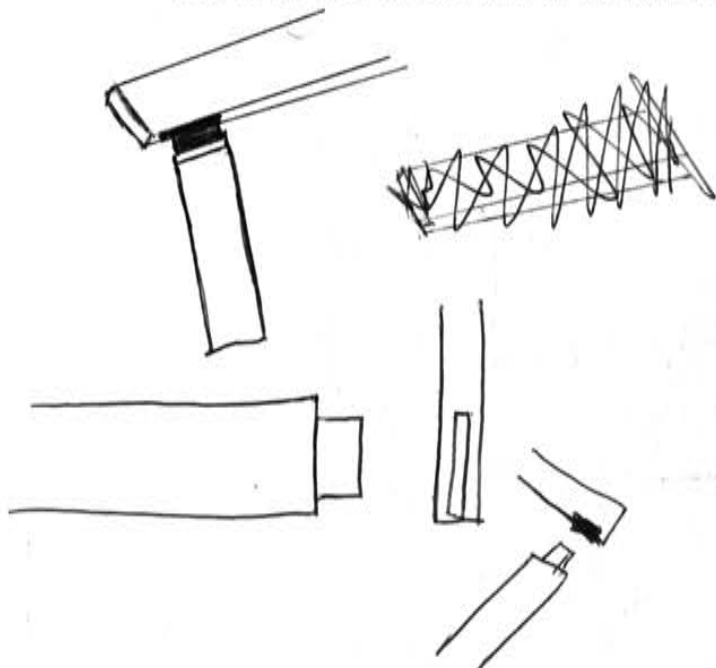
Question 13 (2 marks)

The details of a glass door frame from the entertainment unit are shown.

2



Name and describe, with the aid of sketches, a suitable framing joint that could be used in the area marked at A in the door frame.



~~the~~ Half Housing Joint could be used. This joint is when you cut an equal length out of the female part and have the same length protruding as the male part. They both slot together nicely.

Question 14 (3 marks)

Describe the safety precautions that need to be considered when constructing and finishing cabinet furniture made from manufactured boards.

3

When constructing a cabinet from manufactured boards you should always find out what is in the products you are using. For example in some manufactured boards companies use a formaldehyde glue which ~~is~~ is toxic when working on the boards with certain machines such as the band saw or bench saw the heat created by the cutting blade melts the glue and creates toxic fumes as well as the dust being toxic.

Question 15 (3 marks)

What are the advantages and disadvantages of using solid timber as opposed to manufactured board for the top of the entertainment unit?

3

Solid timber looks nice with certain finishes and even just with the wood grain exposed. Manufactured boards are cheaper and almost the same strength as solid timber, they cost less but don't look as nice even when ~~is~~ finished or stained. Solid timber is more expensive but better all round.

Question 16 (4 marks)

Describe techniques used when making furniture from manufactured boards.

4

The craftsmen ~~of~~ or women, need to take precautions when working with manufactured boards, when using most kinds of tools in the workshop there is a certain ~~amount~~ amount of heat given off which could present the danger of toxic fumes coming off the glue used in ~~the~~ some manufactured boards. Also when using manufactured boards you must remember that the structure of the boards is different from most solid timbers, such as the flakeyness of manufactured boards when working could be a hazard for craftspeople who haven't used it before, if you applied too much pressure and the area flaked away then you could be seriously injured by the tool you were using. ✓