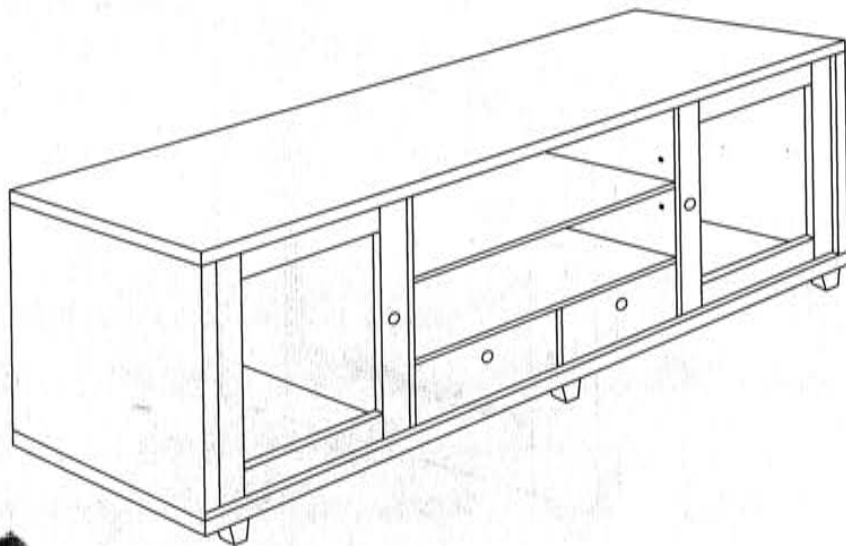


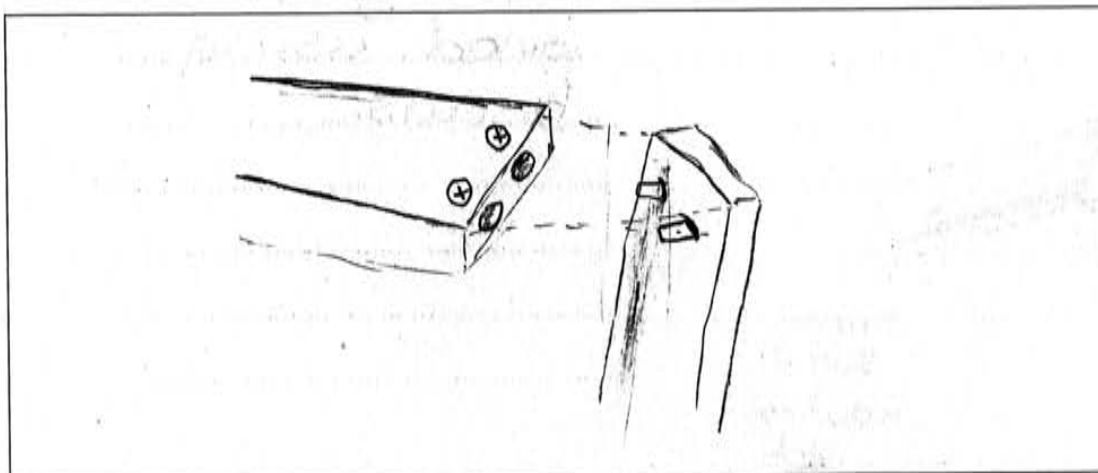
Questions 11–16 refer to the diagram of an entertainment unit below. The unit is to be manufactured as a 'flat pack'.



Question 11 (1 mark)

Sketch a knockdown fitting that could be used.

1



Question 12 (2 marks)

What are the advantages of producing the entertainment unit as a 'flat pack'?

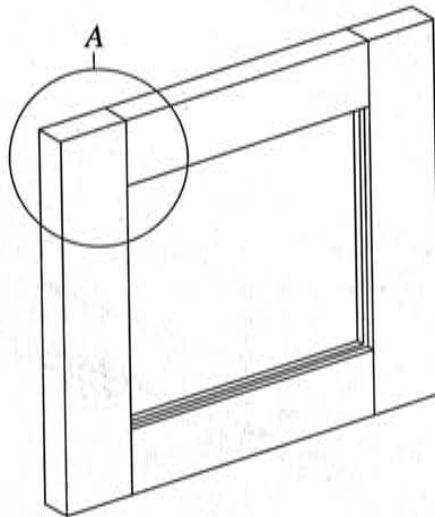
2

The advantages of a 'flat pack' are: easy to transport from shop to home, and it is simple and easy to put it together.

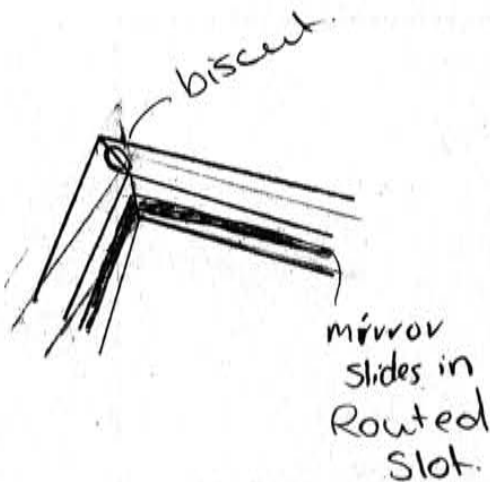
Question 13 (2 marks)

The details of a glass door frame from the entertainment unit are shown.

2



Name and describe, with the aid of sketches, a suitable framing joint that could be used in the area marked at A in the door frame.



mitre joint
joined using
biscuits.

Question 14 (3 marks)

Describe the safety precautions that need to be considered when constructing and finishing cabinet furniture made from manufactured boards. 3

when cutting - dust extraction system to remove airborne particles in the air, ~~also~~ wear a mask to prevent breathing in particles when finishing with laquer (oil or water based) have sufficient air flow in work area ~~of~~ or do it outside.

Question 15 (3 marks)

What are the advantages and disadvantages of using solid timber as opposed to manufactured board for the top of the entertainment unit? 3

- strong - less likely to break under pressure
- finishing - the look of the natural grain
- alot heavier than manufactured board.

Question 16 (4 marks)

Describe techniques used when making furniture from manufactured boards.

4

veneering over the manufactured board with another timber to give it natural grain but is still light weight.
Simple joints eg. butt joint, knock down fittings