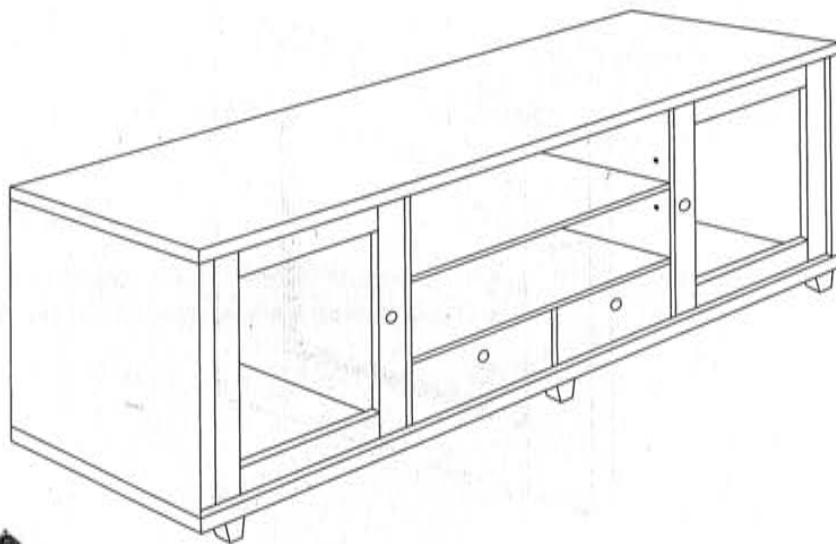


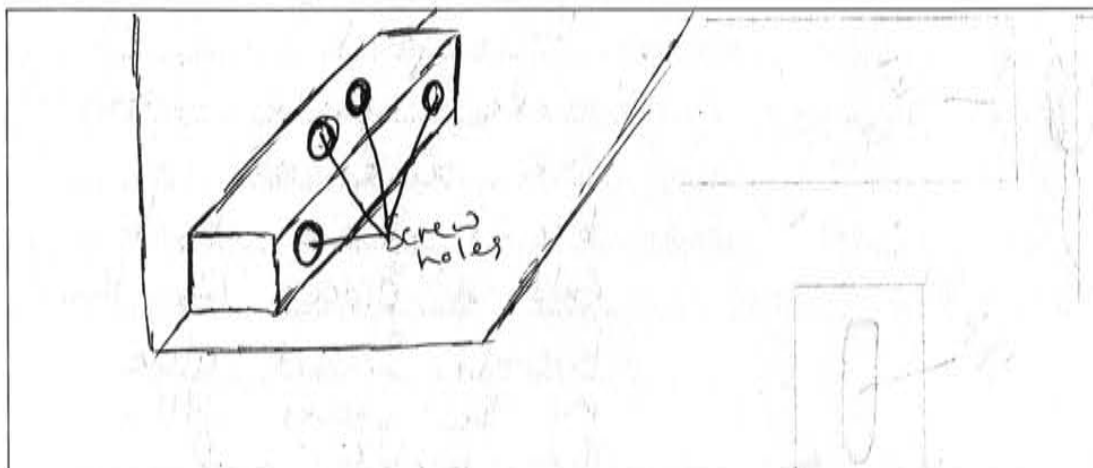
Questions 11–16 refer to the diagram of an entertainment unit below. The unit is to be manufactured as a 'flat pack'.



Question 11 (1 mark)

Sketch a knockdown fitting that could be used.

1



Question 12 (2 marks)

What are the advantages of producing the entertainment unit as a 'flat pack'?

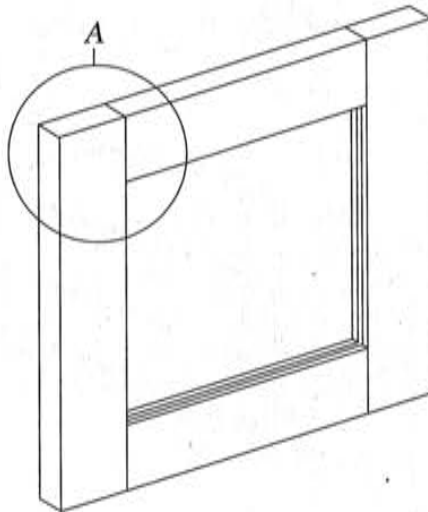
2

The advantages of "flat pack" products are that because it is deconstructed, ~~it~~ it is easily movable in a small storage space, and the shipping/postage of the product is easy because the package is a lot smaller.

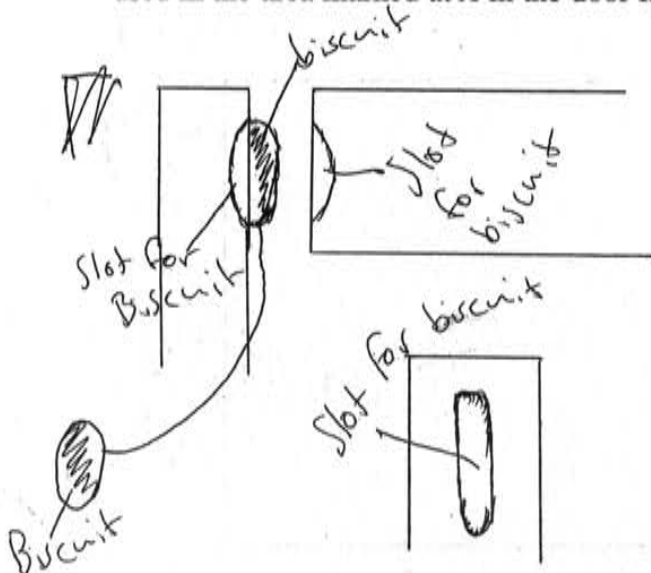
Question 13 (2 marks)

The details of a glass door frame from the entertainment unit are shown.

2



Name and describe, with the aid of sketches, a suitable framing joint that could be used in the area marked at A in the door frame.



Biscuit joint.
This joint is made easier with the use of a biscuit joiner that cuts a groove for the biscuit. Insert glue in the groove with the biscuit and compress the two bits of timber together till done.

Question 14 (3 marks)

Describe the safety precautions that need to be considered when constructing and finishing cabinet furniture made from manufactured boards. 3

Personal Protective Equipment (PPE) should always be worn around areas of construction. When constructing cabinets, enclosed ~~shoes~~ leather shoes should be worn to protect the feet, goggles to protect the eyes if drilling, wear muffs if there is excessive noise created. Tools and equipment should always be kept/stored in a safe place, out of the way so people can't injure ~~themselves~~ themselves if they trip over them.

Question 15 (3 marks)

What are the advantages and disadvantages of using solid timber as opposed to manufactured board for the top of the entertainment unit? 3

Solid timber, as opposed to manufactured boards, (like MDF, Particle board), gives a very natural look. This can be a feature of the cabinet to show off its natural ~~features~~ features. A disadvantage of solid timber is that it can be more expensive (depending on the timber used), than manufactured boards, but also if you are using a ~~any~~ hardwood it can be not ~~as~~ as easy to work with.

Question 16 (4 marks)

Describe techniques used when making furniture from manufactured boards.

4

Laminating veneers are a good way to get a natural thick looking slab of timber by gluing thin layers of timber onto other thicker boards or cheaper ~~wood~~ timber.

Constructing/deconstructing techniques such as using knockdown fittings are a good way for you to be able to quickly put-together or take apart products.