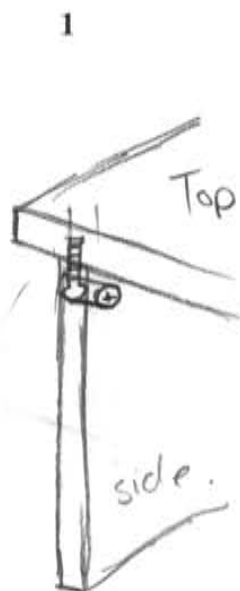
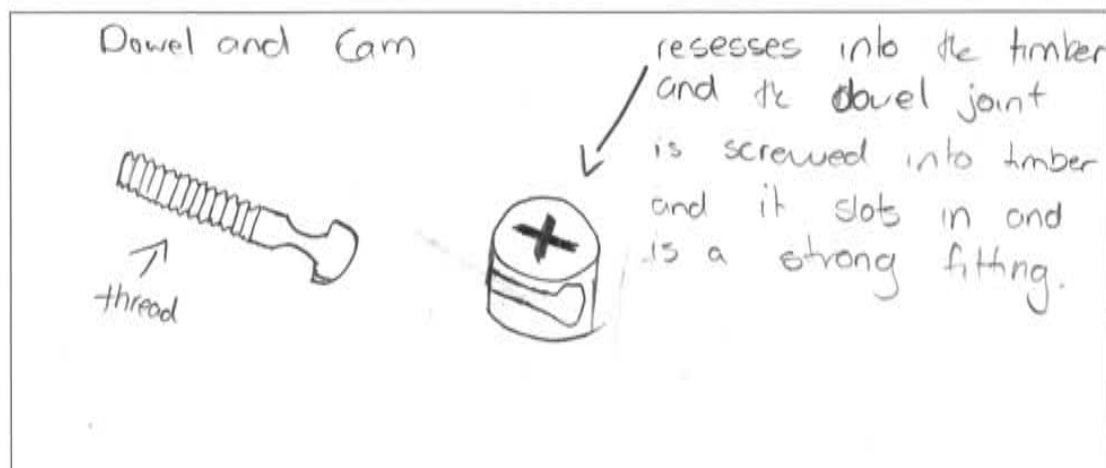


Questions 11–16 refer to the diagram of an entertainment unit below. The unit is to be manufactured as a ‘flat pack’.



Question 11 (1 mark)

Sketch a knockdown fitting that could be used.



Question 12 (2 marks)

What are the advantages of producing the entertainment unit as a 'flat pack'?

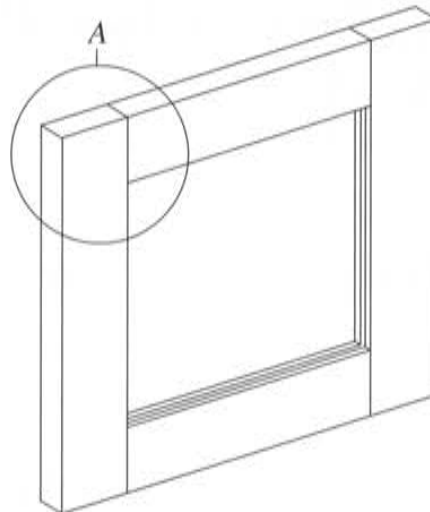
2

Advantages of producing the entertainment in flat pack is that it is cheaper to produce and machine as you have quicker and easier production time, while also high profits. It is cheaper to buy while it can also be made out of manufactured timber.

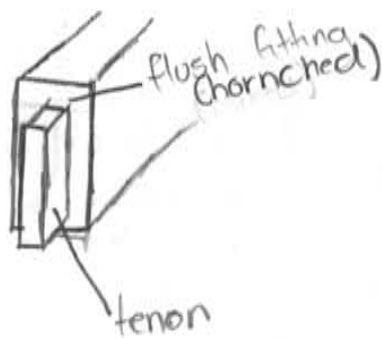
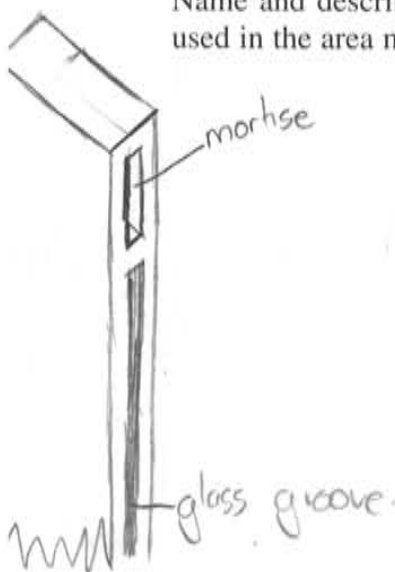
Question 13 (2 marks)

The details of a glass door frame from the entertainment unit are shown.

2



Name and describe, with the aid of sketches, a suitable framing joint that could be used in the area marked at A in the door frame.



A suitable framing joint would be a mortise and tenon. As it provides strength and a flush finish which shows no joints and is flush timber on all sides. Also allows for glass to be routed.

Question 14 (3 marks)

Describe the safety precautions that need to be considered when constructing and finishing cabinet furniture made from manufactured boards.

3

Safety precautions that need to be taken construction the cabinet, need to be correct machinery use of guards, ~~sharp~~ sharp tools (blades) etc. correct PPE must be ~~worn~~ worn, while also dust must and face shield as manufactured boards splinter and chip while working and certain MDF's can create large amounts of fine pulp dust particles. While finishing it a respirator mask must be worn if spraying a finish on with correct PPE of overalls and gloves.

Question 15 (3 marks)

What are the advantages and disadvantages of using solid timber as opposed to manufactured board for the top of the entertainment unit?

3

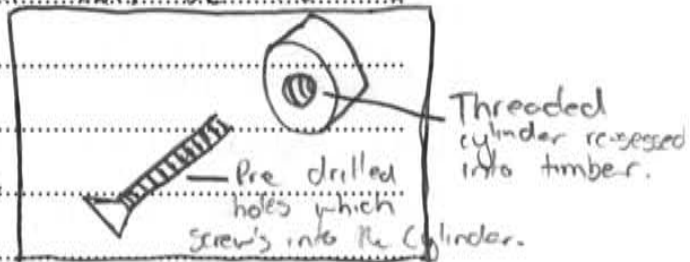
The advantages of using solid timber's provides strength as well as natural grain growth. While it also provides a hard surface and won't dent or bubble with water damage. (hand made)
The Disadvantages of using solid timber is that the cost is abt more as the price rises while also ~~at~~ attaching the top can become more difficult. Other disadvantages are is not easy of assemble and more product cost of ~~worker's~~ worker's and not time efficient.
Manufactured board is recycled timber in how is is cheap easier and faster to work with and won't harm the environment.

Question 16 (4 marks)

Describe techniques used when making furniture from manufactured boards.

4

Techniques used when making furniture from manufactured boards is often, it is flat pack, and is made from knock down fittings, joints and hinges. Techniques used can be rebate joints and butt joints with the use of knock down fitting as shown to the right.



It is very easy to work with and produce as it is sold but has ~~sub~~ ~~step~~ good working properties. Other techniques used is it can be made in large groups as done by machine or CNC. MDF can have a veneer coating to have a real timber effect when finishing. The best technique is that it can be made by machine and flat packed with knock down fitting. ~~Assemble~~ most joints are rebate or butt joints which ~~grove~~ provides neat tidy, while strong and durable furniture.