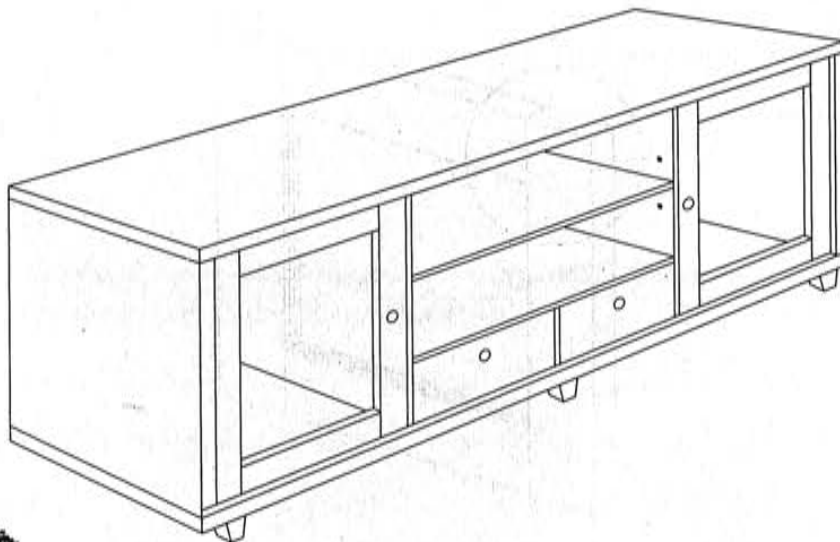


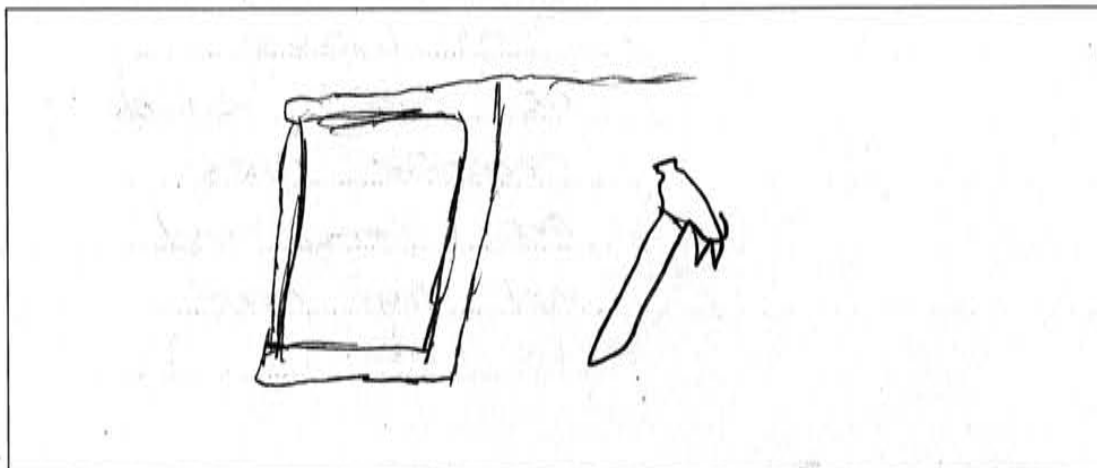
Questions 11–16 refer to the diagram of an entertainment unit below. The unit is to be manufactured as a 'flat pack'.



Question 11 (1 mark)

Sketch a knockdown fitting that could be used.

1



Question 12 (2 marks)

What are the advantages of producing the entertainment unit as a 'flat pack'?

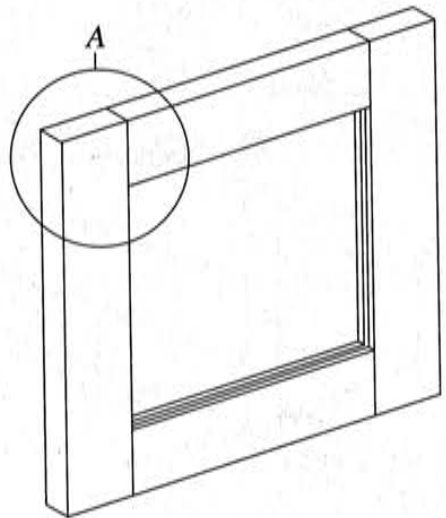
2

The advantage of producing an entertainment unit as a "flat pack" is that it is a lot easier to make and cheaper to.

Question 13 (2 marks)

The details of a glass door frame from the entertainment unit are shown.

2



Name and describe, with the aid of sketches, a suitable framing joint that could be used in the area marked at A in the door frame.

a housing joint would be most suitable because they are strong and not that hard to do.

Question 14 (3 marks)

Describe the safety precautions that need to be considered when constructing and finishing cabinet furniture made from manufactured boards. 3

When make a cabinet out of manufactured boards you have to take care with the dust that you stir up when you are cutting the boards so you should always wear a dust mask.

Question 15 (3 marks)

What are the advantages and disadvantages of using solid timber as opposed to manufactured board for the top of the entertainment unit? 3

The advantage for using solid timber is that it will be stronger than with manufactured board but it will be cheaper with the manufactured board.

Question 16 (4 marks)

Describe techniques used when making furniture from manufactured boards.

4

The techniques that you will need to make furniture out of manufactured board are one take care with the boards as they can get damaged easily then with the solid timber.

two make sure you wear the appropriate PPE for the job such as a desk mark and eye protection.