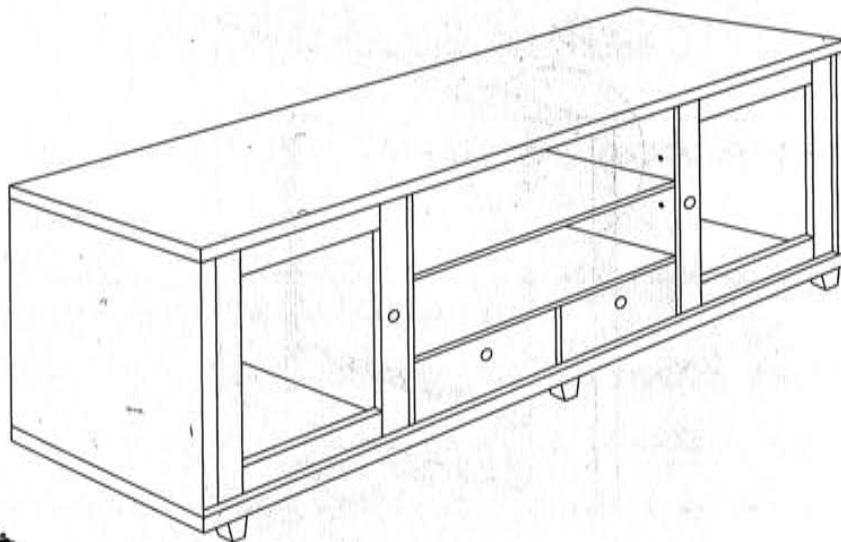


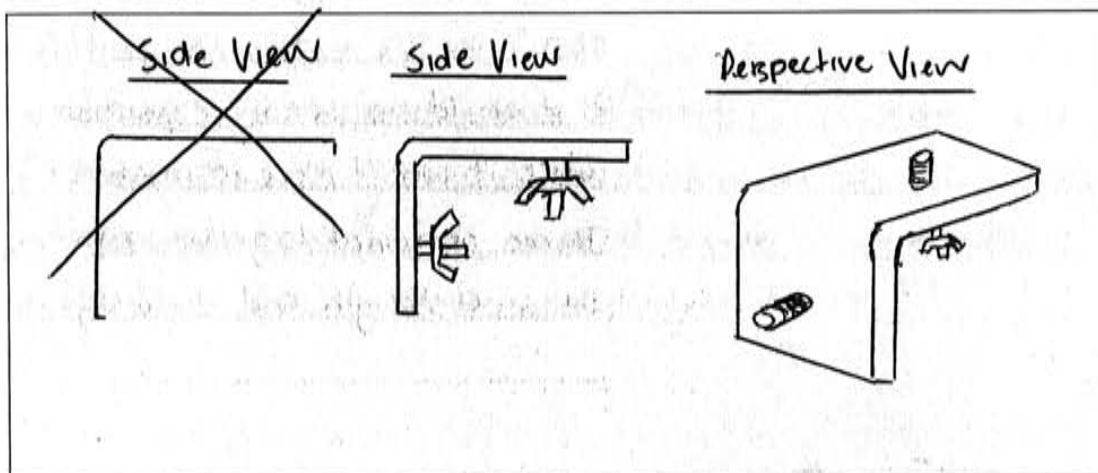
Questions 11–16 refer to the diagram of an entertainment unit below. The unit is to be manufactured as a 'flat pack'.



Question 11 (1 mark)

Sketch a knockdown fitting that could be used.

1



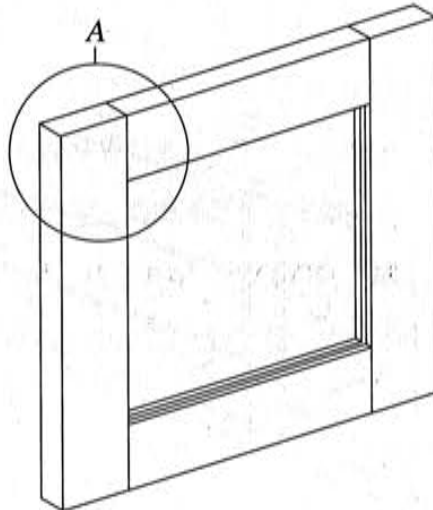
Question 12 (2 marks)

What are the advantages of producing the entertainment unit as a 'flat pack'? 2

The advantages of having a 'flat pack' is the size and shape of the Entertainment Unit. The Unit is based on different size and shape as this would be a good product to use because it would be available for the customer to have different options of putting their object. For example, may place smaller items in the drawers and larger items in the cabinet box frame area.

Question 13 (2 marks)

The details of a glass door frame from the entertainment unit are shown. 2



Name and describe, with the aid of sketches, a suitable framing joint that could be used in the area marked at A in the door frame.

A suitable framing joint can be a 'mortise and tenon joint' as it would be place in a position where it won't move as much. It can be joined together with the same strength and durability.

Question 14 (3 marks)

Describe the safety precautions that need to be considered when constructing and finishing cabinet furniture made from manufactured boards. 3

The safety precaution that need to be taken while working on the Entertainment Unit was three different cautions. They are the bottom gap, glass frame door and shelves

Bottom gap door

Make sure that it leaves enough room for the people for causing them to have back injury when lifting it up.

Glass frame door

Making the joints and hinges on the door are in a good and tight position or they may break the glass or frame.

Shelves

That the shelves are place at the correct height because they can fall out easily.

Question 15 (3 marks)

What are the advantages and disadvantages of using solid timber as opposed to manufactured board for the top of the entertainment unit? 3

The advantage for using solid timber is the wood strength. Because the solid timber would be more stronger than manufactured board. Also, ^{For Example} it would, while placing a heavy item on top of the unit, (such as 'TV'), it would be easily more durably to hold it than the particleboard would.

The disadvantage is cost of the wood because a solid timber would cost more money than ~~it would~~ ^{manufactured} board. For Example, if I buy the same measurement of solid timber and manufactured board, a solid timber is move like to double the amount of the manufactured board

Question 16 (4 marks)

Describe techniques used when making furniture from manufactured boards.

4

The technique use for making the furniture from manufactured board would be used on advantages and disadvantages while making it. The manufactured board can be cut into size ^{of what the person wants it to be} by a manufactured company as it can be more quicker to get a furniture done on time without having to have any issue when making the furniture, the board will show an irrelevant part, known as wood fiber as it shows a different colour to what the viewer wants it to be done like. It would need to be glued by a solid timber by matching the same timber as the manufactured board. The boards would have to placed a suitable location of the furniture where it is not going to be joined to another joint or where it is not going to be difficult to cover the irrelevant colour.