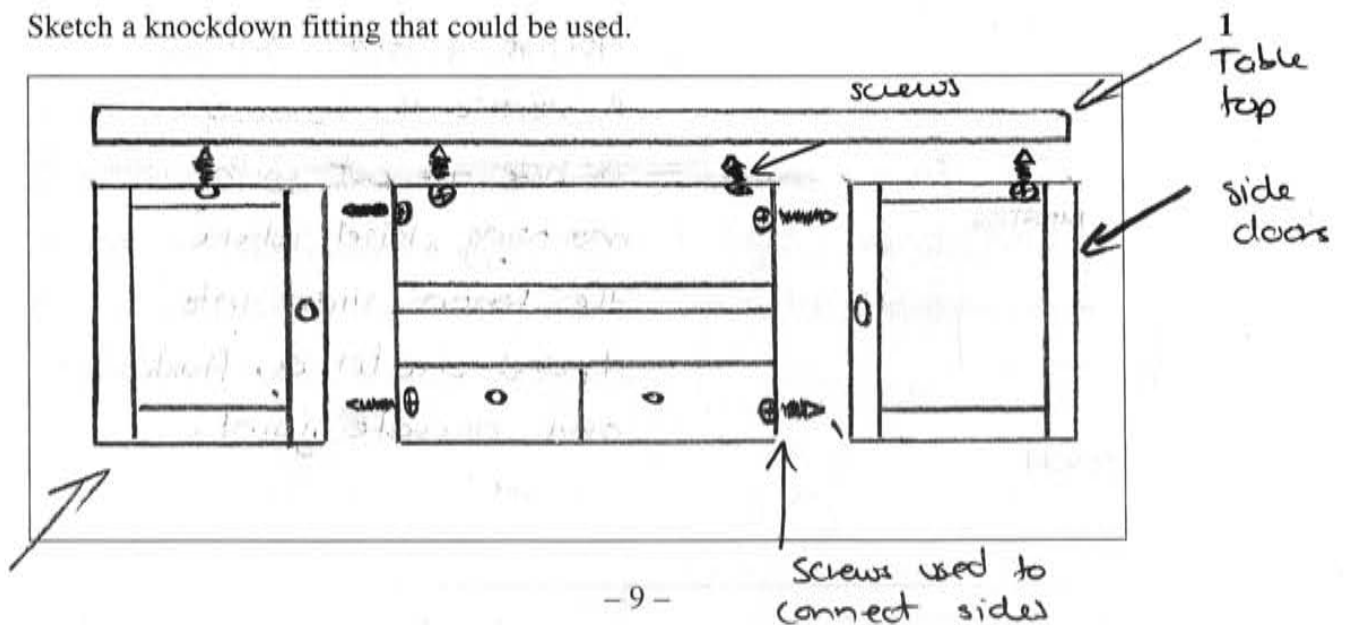


Questions 11–16 refer to the diagram of an entertainment unit below. The unit is to be manufactured as a 'flat pack'.



Question 11 (1 mark)

Sketch a knockdown fitting that could be used.



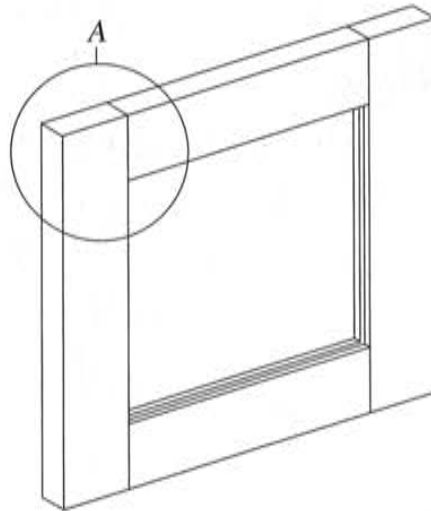
Question 12 (2 marks)

What are the advantages of producing the entertainment unit as a 'flat pack'? 2

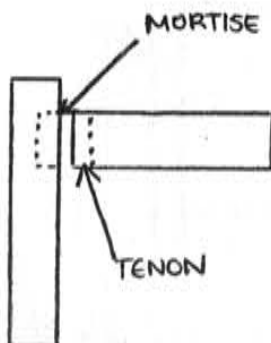
By producing the entertainment unit as a "flat pack" advantages could include things such as being able to de-assemble and re-assemble the entertainment unit for storage reasons. Another advantage is that it could offer great durability due to screws, bolts etc.

Question 13 (2 marks)

The details of a glass door frame from the entertainment unit are shown. 2



Name and describe, with the aid of sketches, a suitable framing joint that could be used in the area marked at A in the door frame.



Mortise & Tenon Joint.

A mortise is basically a hole cut out with mortising chisel, where the tenon slides into it and creates a flush and accurate joint.

Question 14 (3 marks)

Describe the safety precautions that need to be considered when constructing and finishing cabinet furniture made from manufactured boards. 3

Safety precautions are vital in use throughout the workshop. While using manufactured boards, there are safety precautions that people should consider to prevent injury. One safety precaution is to use a dust mask to prevent a person inhaling toxic particles. For example, MDF contains many dust particles that could affect an asthmatic. Goggles should also be used to prevent flying particles. While using manufactured boards, an individual should wear leather boots to prevent any loose objects/~~from~~ chipping of boards hitting your feet.

Question 15 (3 marks)

What are the advantages and disadvantages of using solid timber as opposed to manufactured board for the top of the entertainment unit? 3

Advantages of using solid timber as opposed to manufactured boards is that there are a variety of sizes available. Solid timber is easier to work with, can be more durable. Solid timber can be sanded back if any mistakes are made, while manufactured boards usually have a veneer. Disadvantage of solid timber is that is more expensive, you can't get solid timber as a board, there are usually ~~lots~~ discolorations.

Question 16 (4 marks)

Describe techniques used when making furniture from manufactured boards.

4

There are many possible techniques that can be used when making furniture from manufactured boards.

One main technique that can be used when using manufactured boards is

Adding edging around the edges of a table top. This can further enhance the ^{aesthetics} ~~look of the~~ ^{of the} furniture. Another main

technique that can be used when using manufactured boards is various types of joinery. One main type of joinery that can be used is a halving joint for things such as shelves in an entertainment unit.