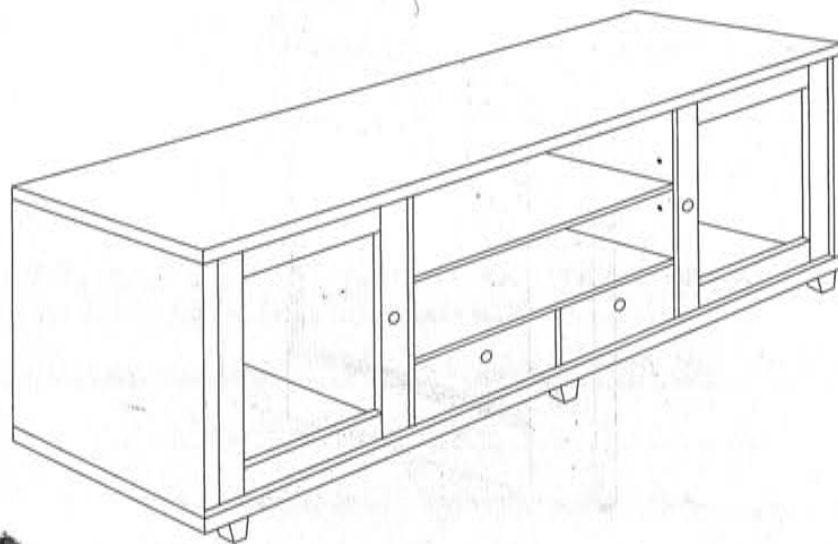


Questions 11–16 refer to the diagram of an entertainment unit below. The unit is to be manufactured as a 'flat pack':



**Question 11** (1 mark)

Sketch a knockdown fitting that could be used.

**1**



**Question 12** (2 marks)

What are the advantages of producing the entertainment unit as a 'flat pack'?

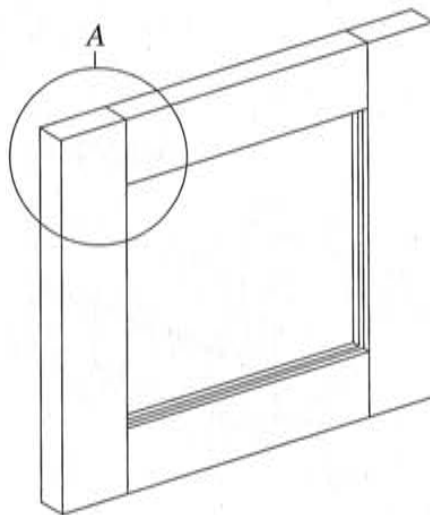
2

The advantages of producing as a flat pack include the transportation methods are broadened which will allow for a larger market market. Another advantage is the weight of the product is distributed evenly.

**Question 13** (2 marks)

The details of a glass door frame from the entertainment unit are shown.

2



Name and describe, with the aid of sketches, a suitable framing joint that could be used in the area marked at A in the door frame.



Mitre joint - This is a common framing joint that is when two ends of the timber are cut at 45° to create a 90° angle. Can be reinforced by dowels or biscuits.

**Question 14** (3 marks)

Describe the safety precautions that need to be considered when constructing and finishing cabinet furniture made from manufactured boards. 3

For the construction phase of producing furniture with manufactured boards, the carpenter must identify any environmental risks that could potentially harm the surrounding or the people constructing the furniture.

As for finishing, most manufactured boards need to be assessed with a variety of finishes to check for any chemical reactions.

**Question 15** (3 marks)

What are the advantages and disadvantages of using solid timber as opposed to manufactured board for the top of the entertainment unit? 3

The advantages of using solid timber for the entertainment unit are that it's the main focus of the piece and solid timber will give a vibrant look to the unit.

The disadvantages, however, are that solid timber requires a lot more care and work to get the same touch and finish results that a manufactured board has.

**Question 16** (4 marks)

Describe techniques used when making furniture from manufactured boards.

4

Techniques when making furniture from manufactured boards include the use of plywood backings. This is a cost-effective technique that adds flow and consistency to the piece of furniture. Downsizing materials such as ~~materials~~ MDF, particleboard and coreboard need to be done so with the appropriate precautions. Safety such as dust masks, safety goggles, aprons and ear muffs should be worn by all workers.