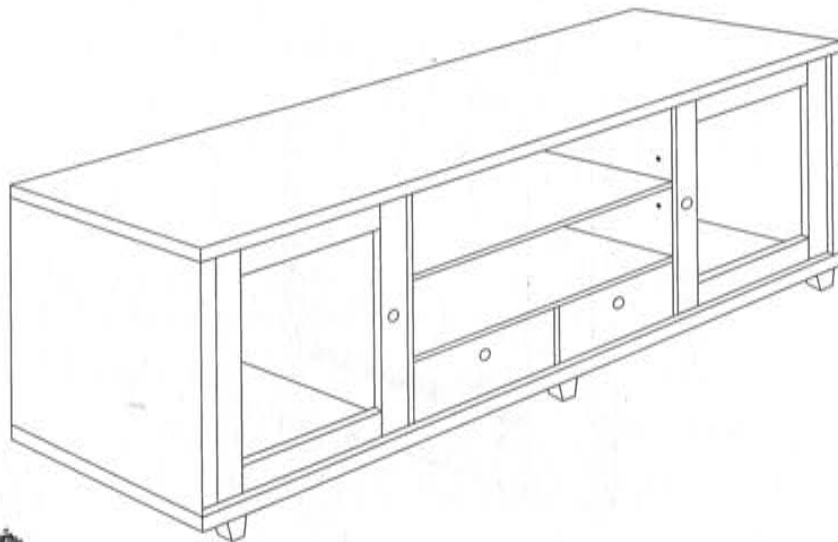


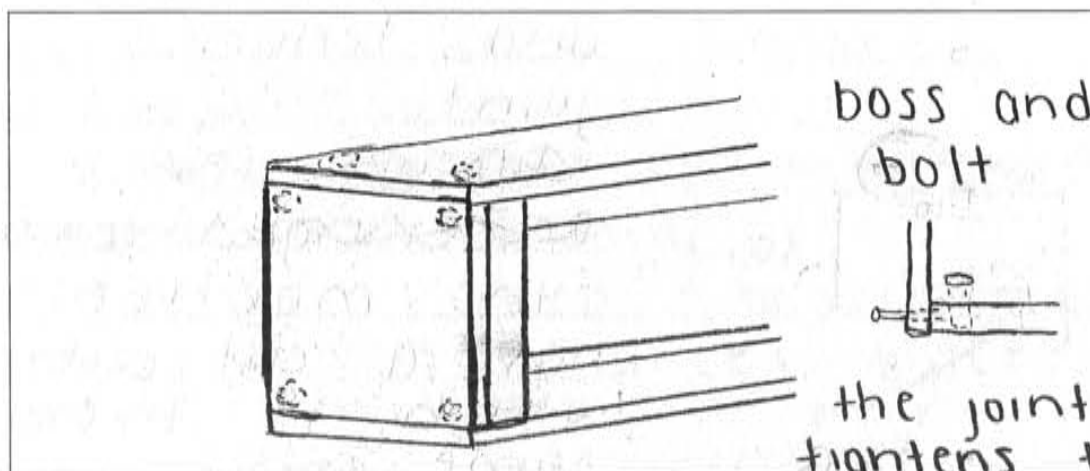
Questions 11–16 refer to the diagram of an entertainment unit below. The unit is to be manufactured as a 'flat pack'.



Question 11 (1 mark)

Sketch a knockdown fitting that could be used.

1



boss and
bolt
the joint
tightens the
boards together
while also being
able to be removed

Question 12 (2 marks)

What are the advantages of producing the entertainment unit as a 'flat pack'?

2

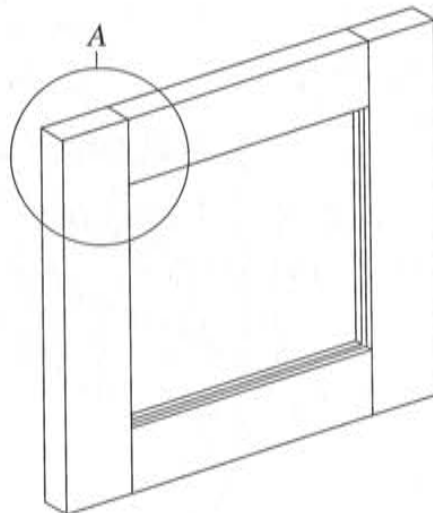
- easy transport
- easy and quick to assemble and take apart.
- light in weight once dis-assembled.

.....
.....

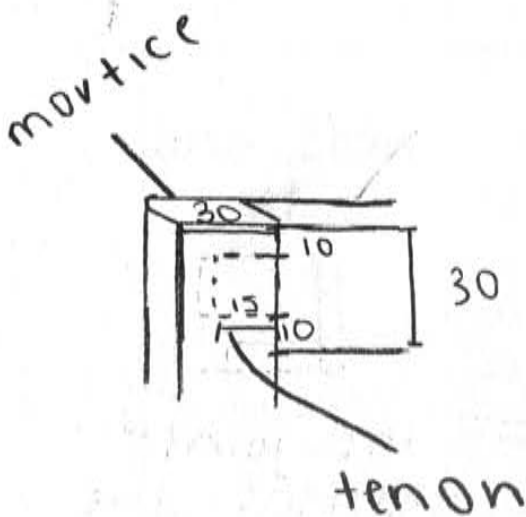
Question 13 (2 marks)

The details of a glass door frame from the entertainment unit are shown.

2



Name and describe, with the aid of sketches, a suitable framing joint that could be used in the area marked at A in the door frame.



- a mortise and tenon joint.
~~the length of the~~
~~the width of the~~

- the mortise has a cut out which is the same size as the tenon.
- the tenon is cut so it is 1/2 of the

Question 14 (3 marks)

Describe the safety precautions that need to be considered when constructing and finishing cabinet furniture made from manufactured boards. 3

- the correct PPE is worn when operating any machinery or equipment when constructing the cabinet.
- all ventilation systems are in place to remove any dust or fumes from the finish that may be present.
- you must follow all instructions and safety steps as the type of finish requires, eg: toxic, flammable

Question 15 (3 marks)

What are the advantages and disadvantages of using solid timber as opposed to manufactured board for the top of the entertainment unit? 3

- advantages
- solid timber is much stronger than manufactured board so it can hold more weight.
 - solid timber is more appealing once finished.
- disadvantages
- solid timber is more expensive to buy.
 - manufactured board can have a veneer sheet placed on the top for a more decorative feature.

Question 16 (4 marks)

Describe techniques used when making furniture from manufactured boards.

4

- finishing the furniture with the ~~appropriate~~ suitable finish.
- decorative edges that can be used with a portable router or a router table to add a chamfer edge to the top of a entertainment cabinet or around the edge of cabinet door frames.
- CNC machinery can be used to cut out decorative images with a router in furniture.