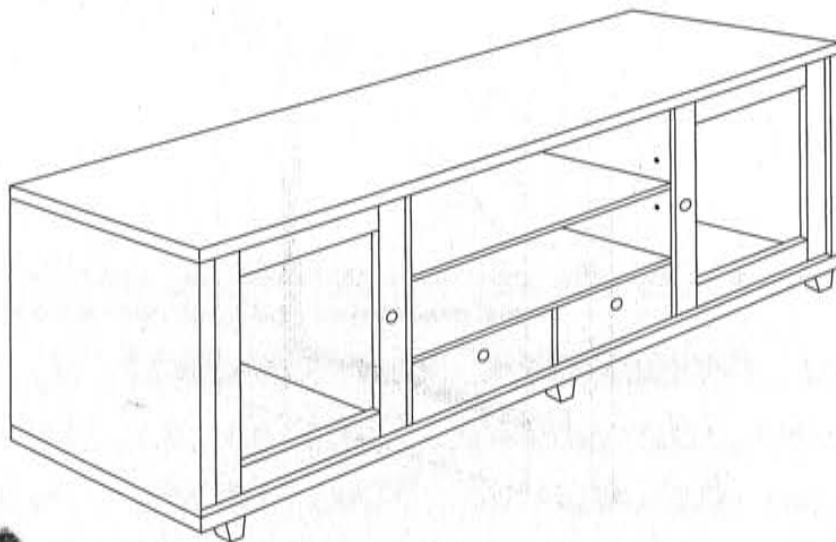


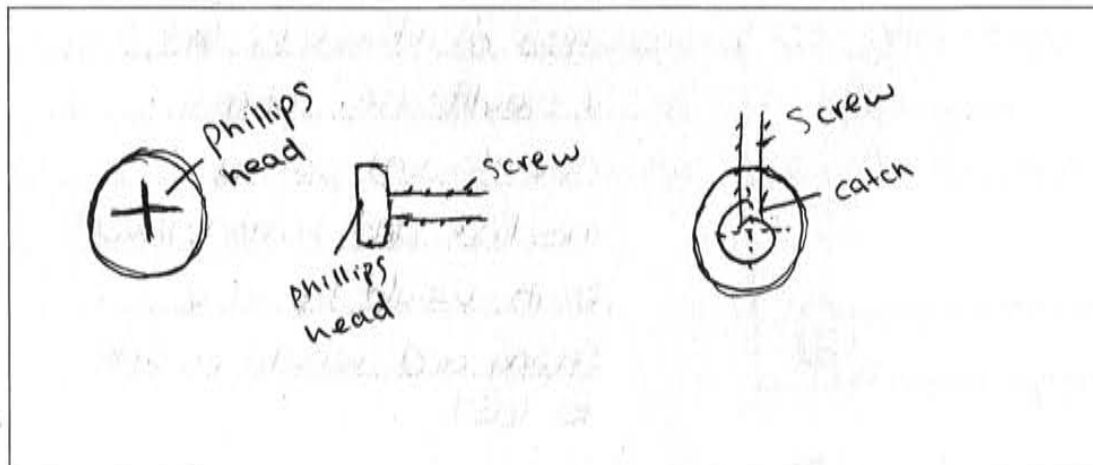
Questions 11–16 refer to the diagram of an entertainment unit below. The unit is to be manufactured as a 'flat pack'.



Question 11 (1 mark)

Sketch a knockdown fitting that could be used.

1



Question 12 (2 marks)

What are the advantages of producing the entertainment unit as a 'flat pack'?

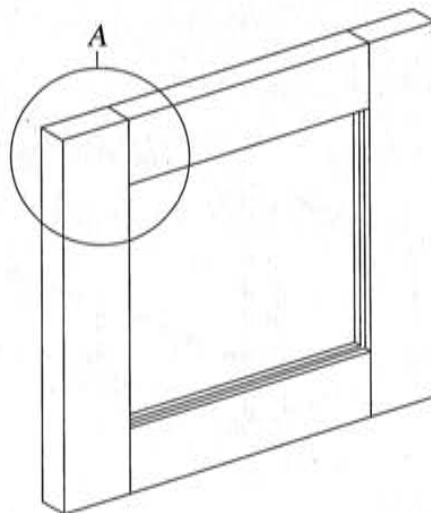
2

If you produce the entertainment as a flat pack it can usually be cost effective, you can fit ~~at~~ a lot more units in a shipment because they are packed in a flat box which they can sit flat on top of each other, and a non-flat pack cannot.

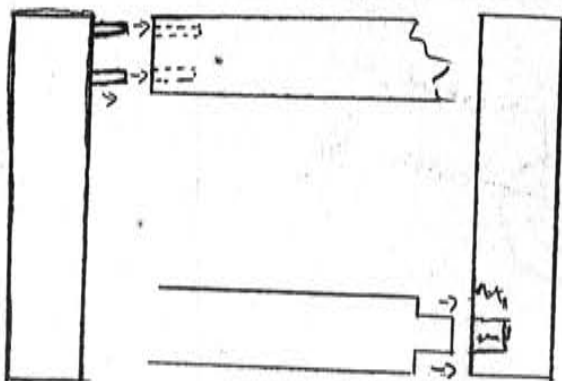
Question 13 (2 marks)

The details of a glass door frame from the entertainment unit are shown.

2



Name and describe, with the aid of sketches, a suitable framing joint that could be used in the area marked at A in the door frame.



there are many joints you could use for this. I would use either a dowel joint, or a mortise and tenon, they both would be very strong and would be able to last.

Question 14 (3 marks)

Describe the safety precautions that need to be considered when constructing and finishing cabinet furniture made from manufactured boards. 3

if you were to make a cabinet out of manufactured board, example MDF (Medium density fibreboard) there are many precautions such as when cutting MDF it would be safe to wear a mask or open windows, MDF is made up of particles which are all glued together and compressed, so it is bad for your lungs, plus the glue used for MDF is dried out and isn't safe.

Question 15 (3 marks)

What are the advantages and disadvantages of using solid timber as opposed to manufactured board for the top of the entertainment unit? 3

using a hardwood over manufactured board is always a plus, but usually a lot heavier, if you were to use a hardwood over manufactured board ~~on a top~~ for a top of an entertainment unit it would be a lot stronger and durable, ~~a~~ if you were to spill any liquid on hardwood it wouldn't bulk up like manufactured board, if there were a heavy TV on it it would be a lot stronger.

Question 16 (4 marks)

Describe techniques used when making furniture from manufactured boards.

4

when using manufactured boards there are certain techniques when, cutting, sanding, and assembling, when cutting wear a mask, it is alot easier to cut then hardwood, when nailing it is better to drill pilot holes when needed, manufactured board is alot easier to work with ~~the~~ compared to hardwood, it cuts like butter, drills easier, and nails easier, but when assembling and assembled it can be alot flimsier then hardwood depending on what manufactured board you use, you have to plan differently for manufactured board.