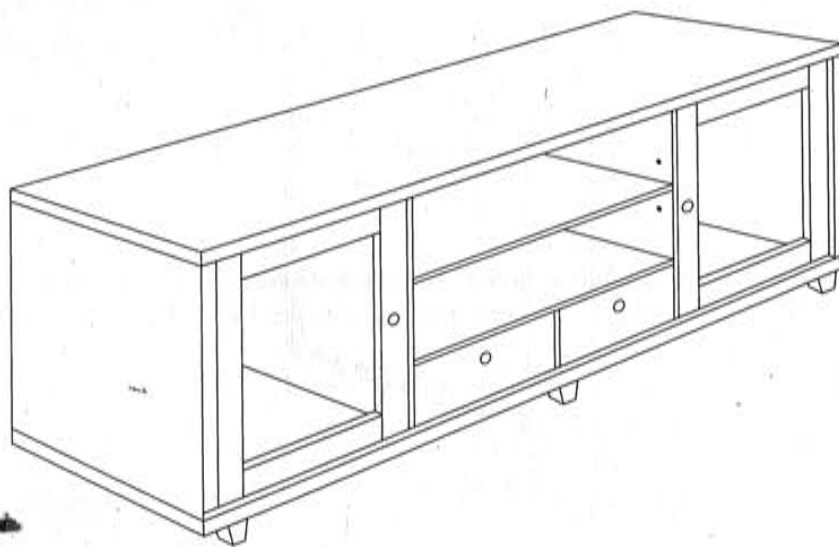


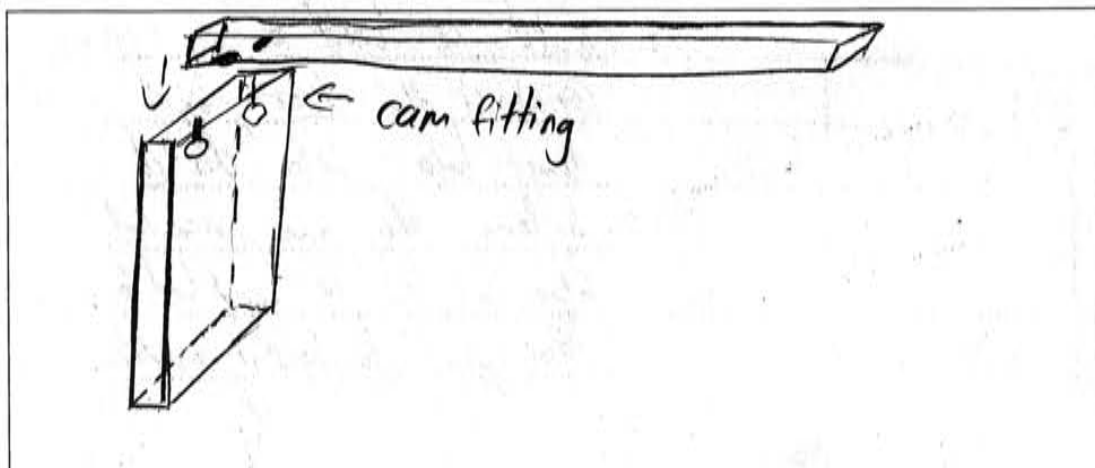
Questions 11–16 refer to the diagram of an entertainment unit below. The unit is to be manufactured as a 'flat pack'.



Question 11 (1 mark)

Sketch a knockdown fitting that could be used.

1



Question 12 (2 marks)

What are the advantages of producing the entertainment unit as a 'flat pack'?

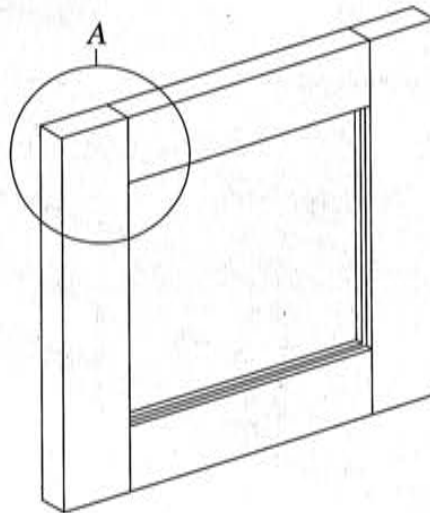
2

By producing the entertainment as a flat pack, production is more efficient as the product can be packed off the line instead of being assembled.
Customers also save money as the savings in manufacture are passed on to consumers.

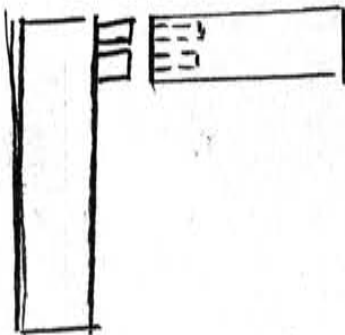
Question 13 (2 marks)

The details of a glass door frame from the entertainment unit are shown.

2



Name and describe, with the aid of sketches, a suitable framing joint that could be used in the area marked at A in the door frame.



A dovetail joint could be used to construct the door, with dovetail holes being drilled before they are inserted. Glue can then be applied to the joint to hold it together.

Question 14 (3 marks)

Describe the safety precautions that need to be considered when constructing and finishing cabinet furniture made from manufactured boards. 3

When constructing and finishing cabinet furniture made from manufactured boards, care must be taken as the dust from sanding the boards in preparation for finishing can be toxic. As such the room should be well ventilated and have a dust extractor to get rid of as much dust as possible. Part masks must also be worn by workers to ensure that dust isn't inhaled. Safety goggles must also be worn in case wood particles or finish comes into contact with the eye.

Question 15 (3 marks)

What are the advantages and disadvantages of using solid timber as opposed to manufactured board for the top of the entertainment unit? 3

Advantages	Disadvantages
- prominent grain structure	- relatively high cost
- takes finish well	- possibility of knotting and other defects present in solid timber
- more durable	
- better aesthetic presentation	

Question 16 (4 marks)

Describe techniques used when making furniture from manufactured boards.

4

Techniques used when making furniture from manufactured boards include pre-drilling. This is done in order to make way for cam locks & fittings or dowell joints, both of which are popular methods of constructing furniture particularly knock down furniture. When making furniture from manufactured boards, it is also not uncommon to use veneers, which are applied by glue guns or are 'ironed on'. These veneers give the impression that the furniture is constructed from solid timber, making the furniture more aesthetically pleasing. Little preparation is required when finishing furniture made from manufactured boards, with boards able to be sprayed with oil or polyurethane finish. In some cases a primer may be applied prior to finishing.